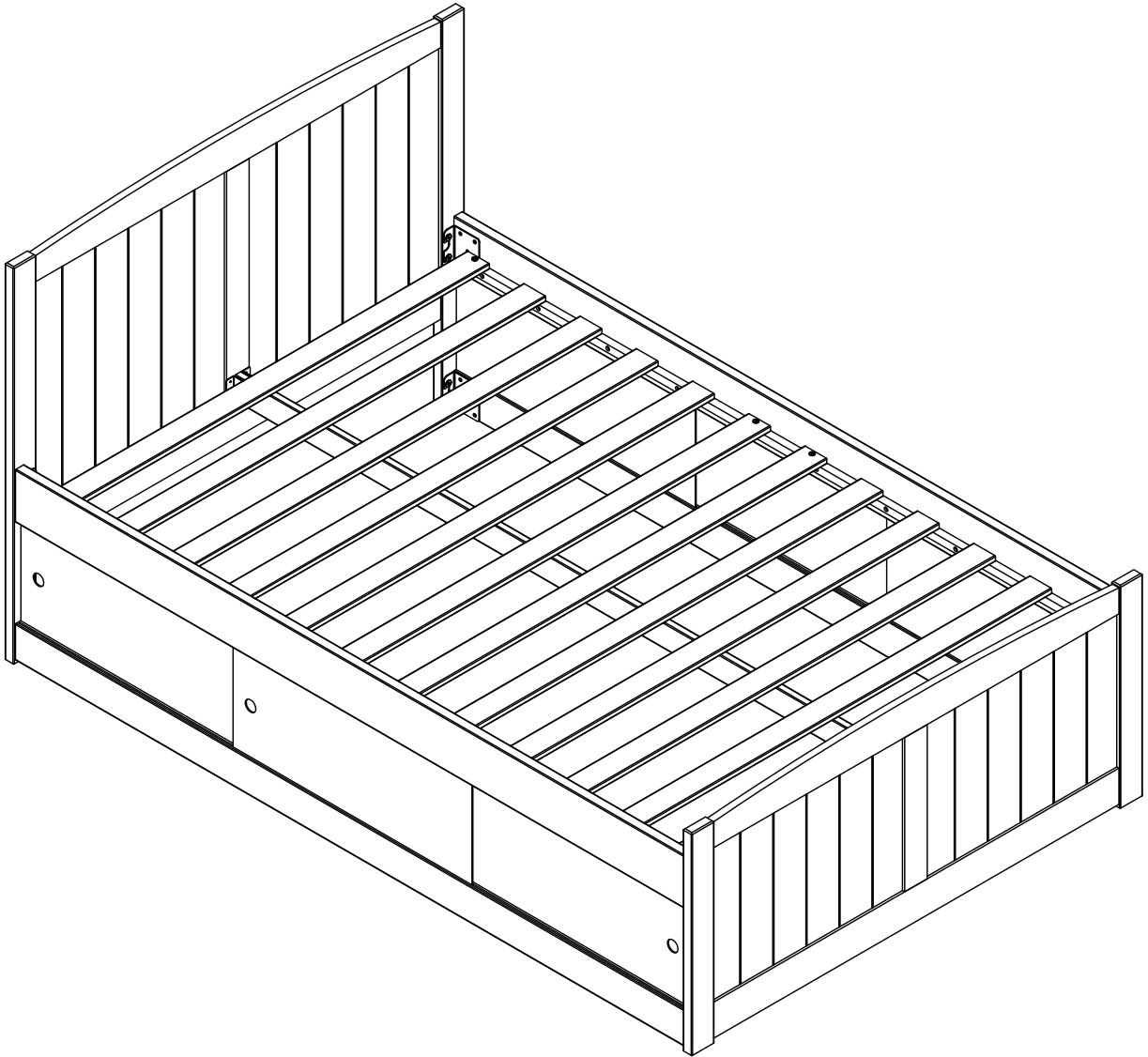


ASSEMBLY INSTRUCTION

MODEL : MAXI STORE 120CM BED




WARNING !

The packaging and contents can be a choking hazard, therefore keep them away from small children and babies as they may choke on them.



Safe and Care Advice

Important - Please read these instructions fully before starting assembly

- Check you have all the components and tools listed.
 - Do not stand or put weight on the product, this could cause damage.
 - Remove all fittings from the plastic bags and separate them into their groups.
 - Assemble the item as close to its final position (in the same room) as possible.
 - Keep children and animals away from the work area, small parts could choke if swallowed.
 - Assemble on a soft level surface to avoid damaging the unit or your floor.
 - Make sure you have enough space to lay out the parts before starting.
 - Parts of the assembly will be easier with 2 people.
- 
- We do not recommend the use of power drills/drivers for inserting screws as this could damage the unit. Only use hand screwdrivers.
 - Dispose all packaging carefully and responsibly.

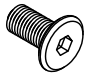
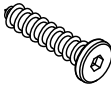

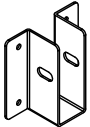
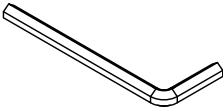
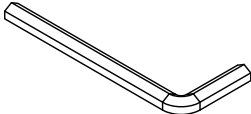
Glue safety - Take care when using glue, please follow the advise below

- Skin contact :
Remove contamination by washing with soap and water. This procedure should also be followed prior to eating and drinking.
- Eye contact :
Rinse immediately with clean water for 15 minutes and seek medical advise.
- If swallowed :
Seek medical advise immediately.

Care and maintenance

- Only clean using a damp cloth and mild detergent, do not use bleach or abrasive cleaners.
- From time to time check that there are no loose screws on this unit.
- This product should not be discarded with household waste. Take to your local authority waste disposal center.

HARDWARE LIST

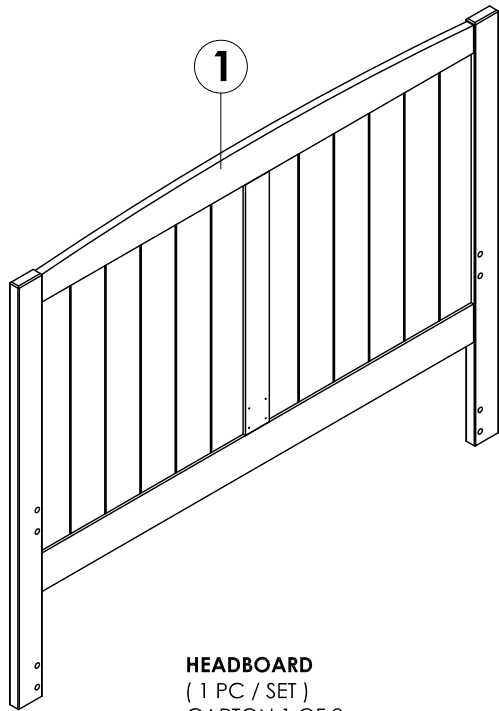
<p>A 16 PCS</p>  <p>JCBB BOLT (M8 x 16MM)</p>	<p>B 8 PCS</p>  <p>JCBC W SCREW (M7 x 32MM)</p>	<p>C 8 PCS</p>  <p>CSK C/B SCREW (M3.5 x 16MM)</p>
<p>D 2 PCS</p>  <p>ANGLE "U" BRACKET (L65 x W67 x T1.5MM)</p>	<p>E 1 PC</p>  <p>ALLEN KEY (M4 x 60MM)</p>	<p>F 1 PC</p>  <p>ALLEN KEY (M5 x 60MM)</p>



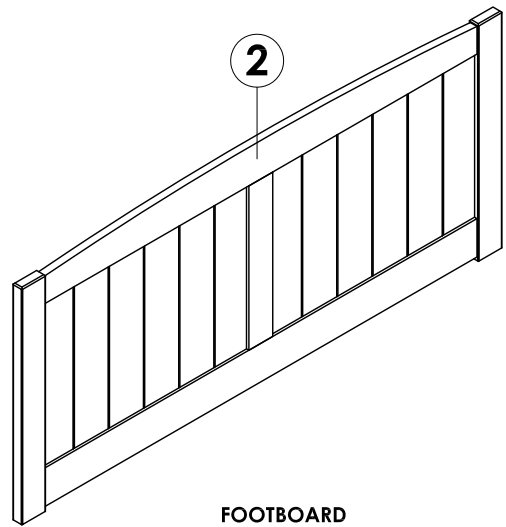
Do not recommend the use of power drills/drivers for inserting bolts/screws as this could damage the unit.

Tools Required :
Crosshead Screw Driver

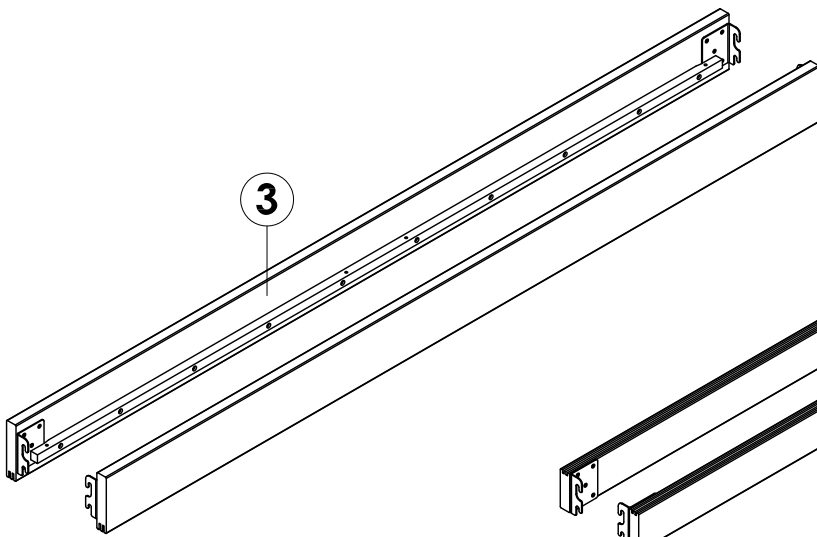
PART LIST



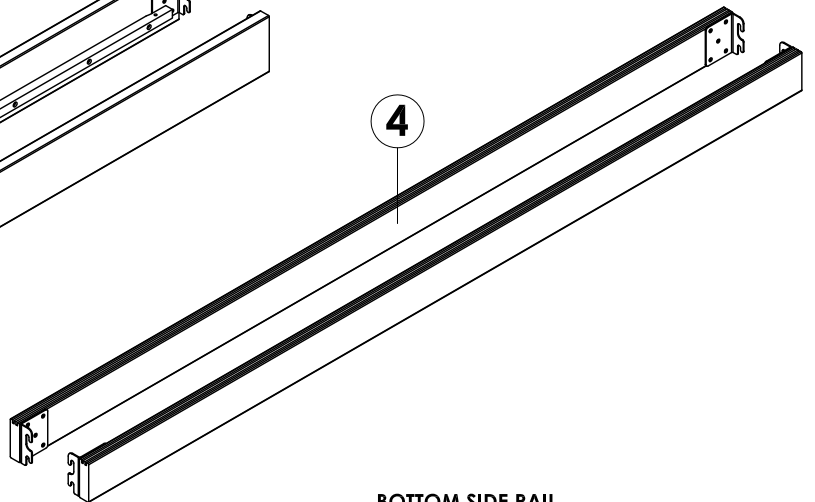
1
HEADBOARD
(1 PC / SET)
CARTON 1 OF 2



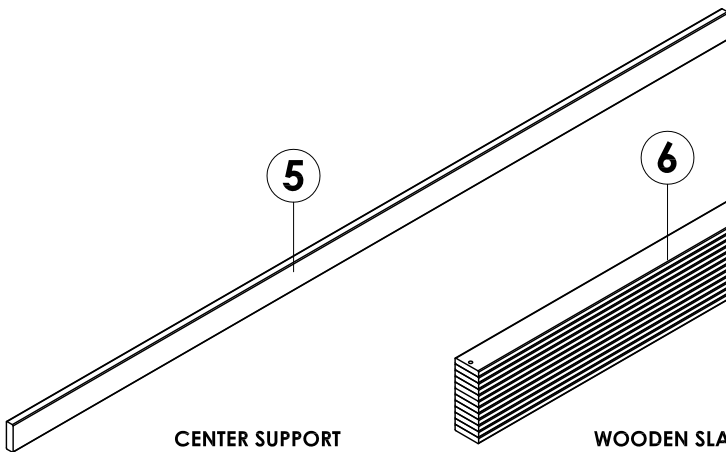
2
FOOTBOARD
(1 PC / SET)
CARTON 1 OF 2



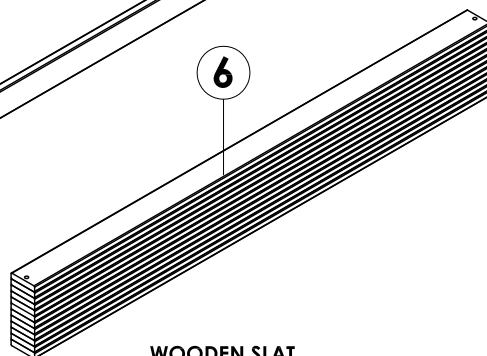
3
TOP SIDE RAIL
(2 PCS / SET)
CARTON 2 OF 2



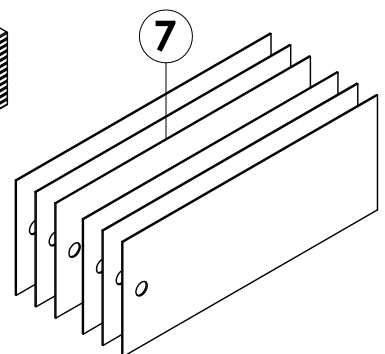
4
BOTTOM SIDE RAIL
(2 PCS / SET)
CARTON 2 OF 2



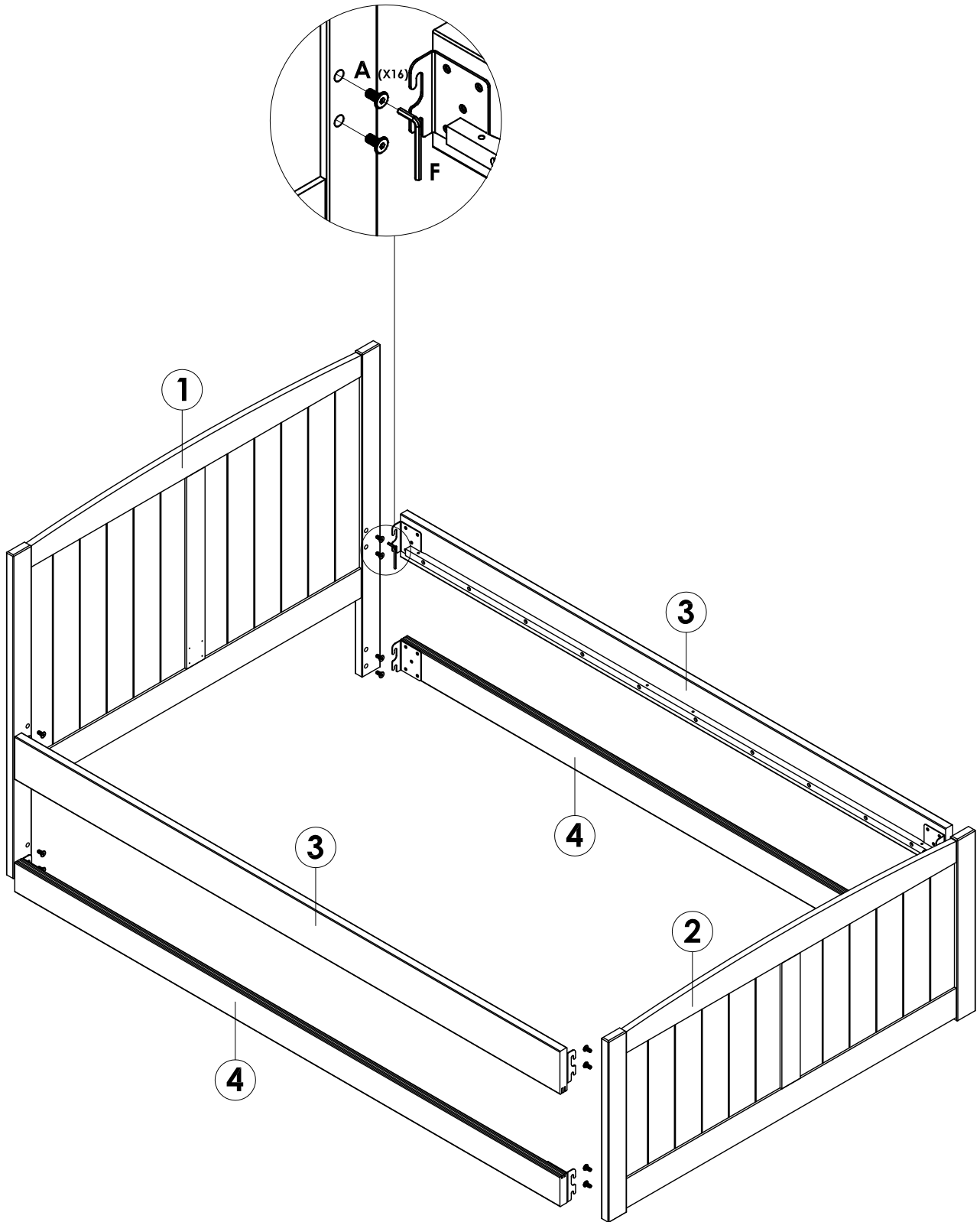
5
CENTER SUPPORT
(1 PC / SET)
CARTON 2 OF 2



6
WOODEN SLAT
(12 PCS / SET)
CARTON 1 OF 2

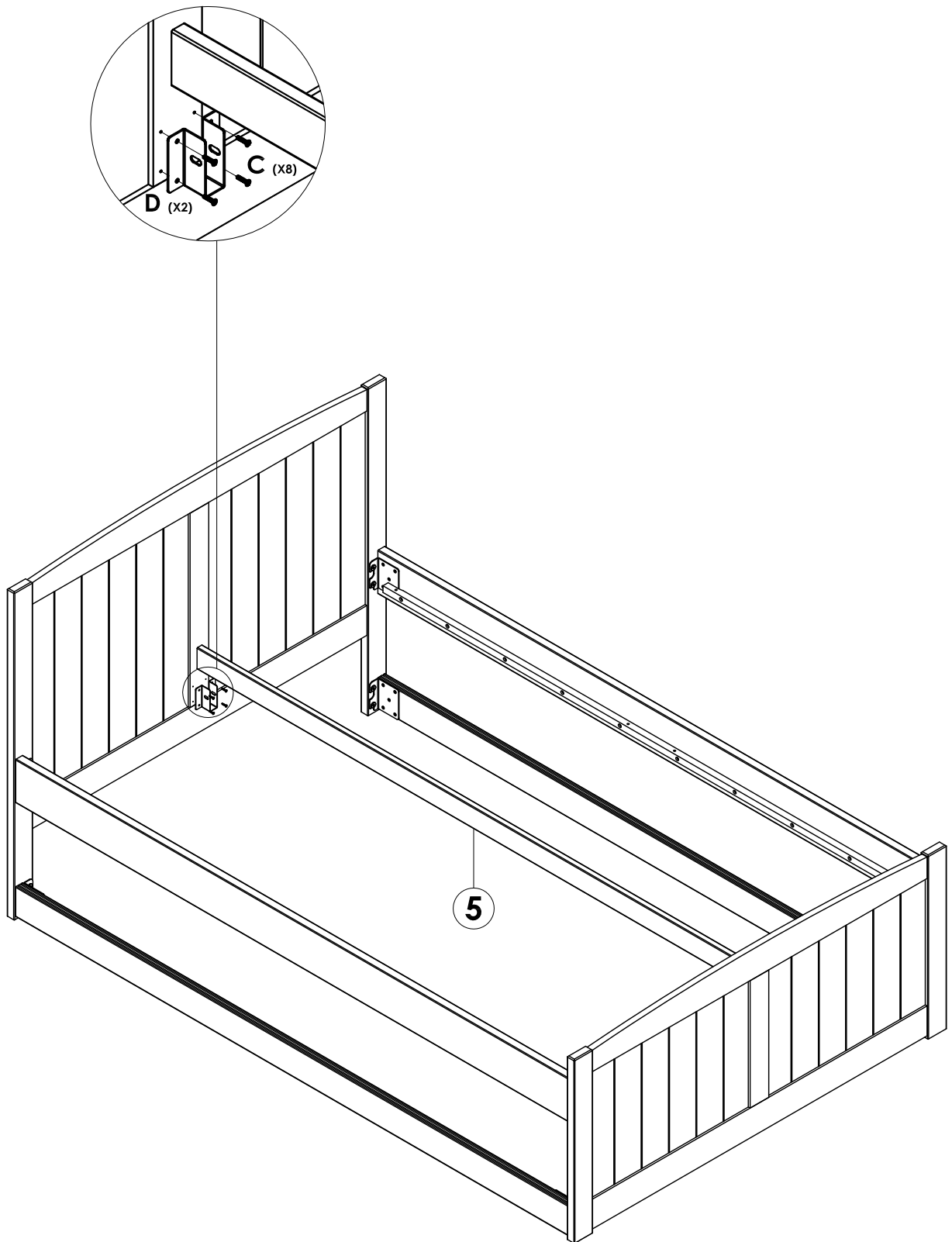


7
DOOR
(6 PCS / SET)
CARTON 1 OF 1



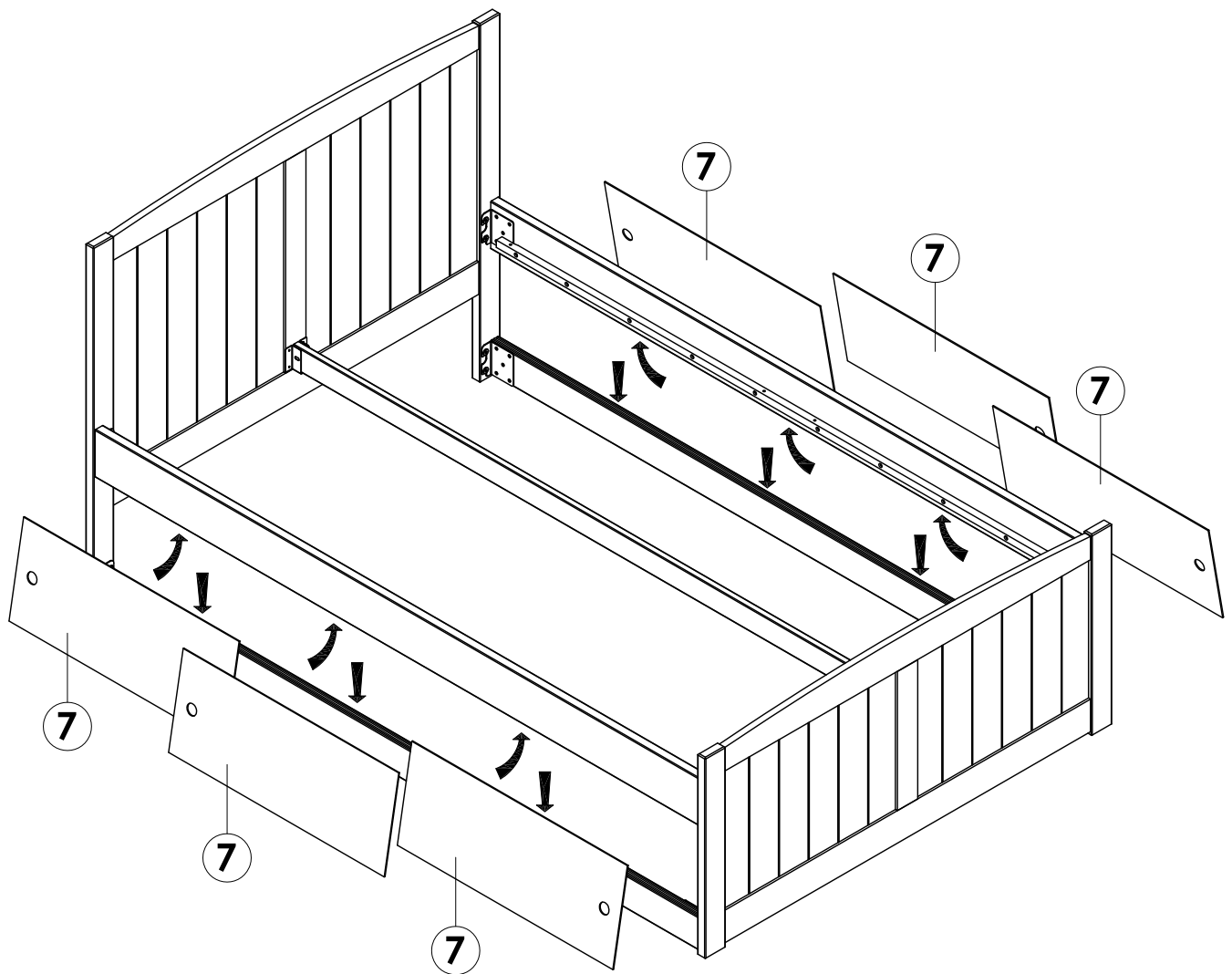
STEP 1

Attach and secure **Top Side Rail, Bottom Side Rail** onto **Headboard** and **Footboard** by using **(A)**, tighten it up by using **(F)**.



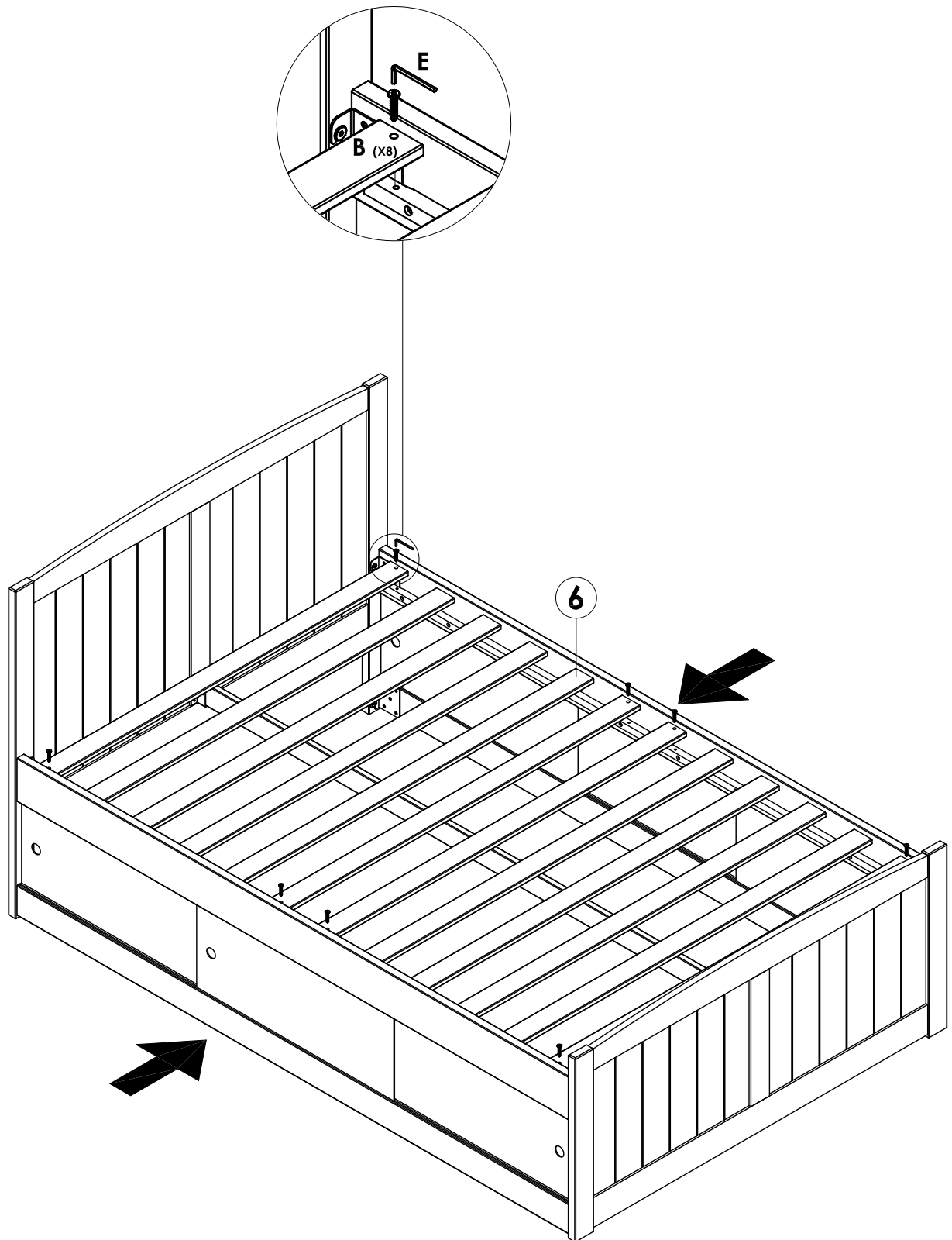
STEP 2

Attach and secure **(D)** onto **Headboard** and **Footboard** by using **(C)**, tighten it up by using a crosshead screw driver. Go on to slot **Center Support** into **(D)**.



STEP 3

Install the **doors** (Left & Right) First,install by inserting in the **Top Side Rail** inside track groove on an angle.Straighten the **doors** and lower it into the **Bottom Side Rail** inside track groove. After that insert the **door** (Center) inserting in the outside track groove with the same way.



STEP 4

Attach and secure **Wooden Slat** onto both **Top Side Rail** by using **(B)**, tighten it up by using **(E)**.

** Align both **Top Side Rail** before tightening the screws.*